



**Warewashing
Undercounter Dishwasher, single
skin with atmospheric boiler, wash
safe, drain pump&detergent disp**

ITEM # _____

MODEL # _____

NAME # _____

SIS # _____

AIA # _____



400084 (VUCA3WSG)

Undercounter dishwasher, single skin with atmospheric boiler, water softener, drain pump, detergent and rinse aid dispenser, 40 racks/h or 720 plates/h

Short Form Specification

Item No. _____

Unit shall be undercounter type hot water rinsing dishmachine with atmospheric boiler. Electrical characteristics to be ___400 volts three phase operation with two automatic cycles of 90/180 seconds for normal and heavily soiled items. Rinse temperature and pressure guaranteed by built in atmospheric boiler and built in rinse booster pump. Washing performance is guaranteed by a powerful wash pump, upper and lower revolving washing spray arms. 304 Stainless steel construction to include door, frame and wash tank. The unit shall include water softener, drain pump, detergent and rinse aid dispenser pumps.

Main Features

- Built-in atmospheric boiler with rinse booster pump to provide constant water temperature and pressure for rinsing, independent from water inlet.
- Incorporated Soft Start feature to offer additional protection to more delicate items.
- Washing system endowed with rotating washing arms, high powered wash pump and large capacity boiler for professional washing.
- 4 second (variable) pause after washing and before rinsing ensures that no drops of unclean water will fall on the clean items at the end of the rinsing cycle.
- Fully automatic self-cleaning cycle avoids the risk of bacteria proliferation.
- Easy to remove wash/rinse arms and filter.
- Simple control panel with digital display allows on-site personalization of washing and rinsing cycle times and temperatures as well as precise rinse aid and detergent quantities to suit customer's needs.
- IPX 4 water protection.
- Pre-arrangement for HACCP system implementation and Energy Management device.
- Three phase or single phase electrical connection, convertible on-site.
- An effective rinse system uses only 3 liters of clean hot water per basket for lower running costs.
- Built-in rinse aid and detergent dispenser with automatic initial and continuous cycle loading for perfect result while minimizing service and maintenance needs.
- Washing capacity of 40 baskets or 720 dishes per hour.
- Simple service from the front.
- Equipped with drain pump for easy and quick installation without opening the machine.
- Equipped with water softener to ensure optimal rinsing results.
- 90/180 seconds cycle.

Construction

- Unit to feature smooth surfaces to facilitate cleaning.
- 304 stainless steel boiler with higher welding protection to increase resistance to corrosion.
- Completely closed on the back by a cover plate.
- Front and side panels, door and wash tank made in heavy duty anti-corrosive AISI 304 stainless steel.
- Interchangeable wash/rinse arms screw out for simple clean up.
- The boiler drain facilitates the evacuation of stagnant water after long periods of inactivity to ensure a higher level of hygiene.
- Unit to feature drain pump, rinse aid and detergent dispenser pumps.

Included Accessories

- 1 of Cutlery container - yellow PNC 864242
- 1 of Basket for 18 dinner plates 240mm - yellow PNC 867002

Optional Accessories

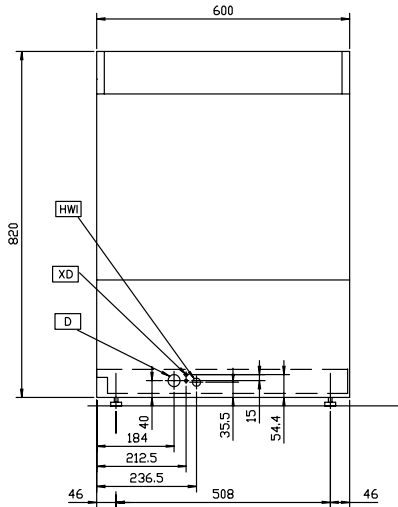
- Stand for undercounter dishwasher PNC 860418

APPROVAL: _____

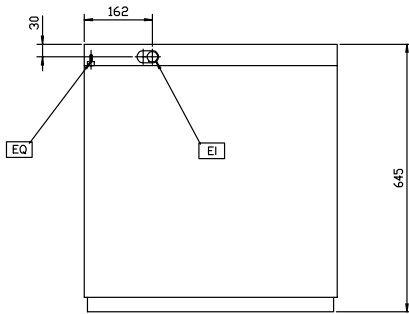
Warewashing Undercounter Dishwasher, single skin with atmospheric boiler, wash safe, drain pump&detergent disp

- External detergent level probe kit PNC 864004
- External rinse aid level probe kit PNC 864005
- Stainless steel inlet hose kit PNC 864016
- Kit to measure total and partial water hardness PNC 864050
- Stainless steel tank filter for single skin undercounter PNC 864222
- Cutlery container - yellow PNC 864242
- AISI 304 stainless steel back panel for undercounters with water softner EUC PNC 864297
- Filter for total demineralization PNC 864367
- Pressure reducer for single tank dishwasher PNC 864461
- Half size basket universal PNC 864527
- Half size basket for plates PNC 864528
- Half size basket for glasses PNC 864529
- Kit 4 plastic boxes for cutlery - yellow PNC 865574
- Basket for 18 dinner plates 240mm - yellow PNC 867002
- Basket for 48 small cups/24 cups - blue PNC 867007
- Cover rack for small and light items (500x500 baskets) PNC 867016
- Basket for 16 vertical glasses (h 70 mm - diam 100 mm) - blue PNC 867023

Front

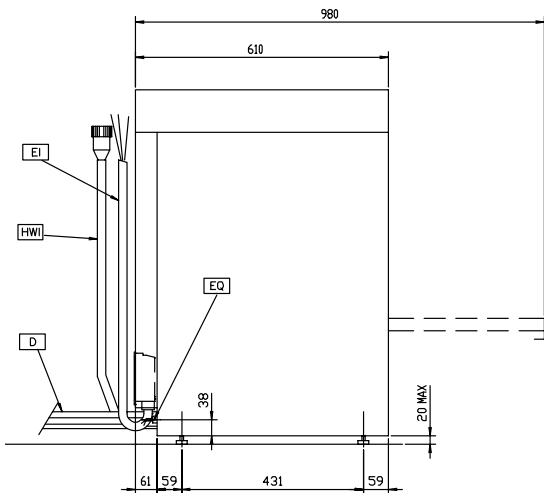


Top



- D** = Drain
- EI** = Electrical inlet (power)
- EO** = Electrical Outlet
- HWI** = Hot water inlet
- V** = Air vents
- XD** = Detergent connection
- XR** = Rinse aid connection

Side



Electric

Supply voltage:	
400084 (VUCA3WSG)	400 V/3N ph/50 Hz
Convertible to:	230V 3~; 230V 1N~
Total Watts:	5.35 kW
Boiler heating elements:	4.5 kW
Tank heating elements:	2 kW
Wash pump size:	0.736 kW

Water:

Pressure, bar min/max:	1-7 bar
Water supply temperature*:	50 °C
Drain line size:	20.5mm
Boiler Capacity (lt):	5.8
Tank Capacity (lt):	33
Incoming water line size:	G 3/4"
Washing cycle temperature:	55-65 °C
Hot rinse cycle temperature:	85 °C
Hot rinse cycle water consumption (lt):	3

Key Information:

Baskets per hour*:	40
N° of working cycles - sec.:	2 (90/180)
Cell dimensions - width:	500 mm
Cell dimensions - depth:	500 mm
Cell dimensions - height:	330 mm
Dishes per hour:	720
Wash temperature:	55-65°C
Rinse temperature:	85 °C
External dimensions, Height:	820 mm
External dimensions, Width:	600 mm
External dimensions, Depth:	610 mm
Packaging size (WxDxH):	600x610x820 mm
Noise level:	<70 dBA