



Warewashing Undercounter Dishwasher with Pressure Boiler & Drain Pump - 3 phase

ITEM # _____

MODEL # _____

NAME # _____

SIS # _____

AIA # _____



Warewashing

Undercounter Dishwasher with Pressure Boiler & Drain Pump - 3 phase

400146 (NUC3DP)

Undercounter dishwasher, single skin with powered pressure boiler (4,5 kW) and drain pump, 540d/h

Short Form Specification

Item No.

304 AISI stainless steel front and side panels, door, control panel and wash tank. Double skinned door. Wash tank with rounded corners. Wash arms and jets in polypropylene, easy to remove. 2 wash cycles 120/180 seconds. Soft start wash pump to avoid accidental breakage of dishes/glasses. Washing system with rotating washing arms, large capacity wash pump and tank volume. Built-in pressure boiler (4,5 kW), 5,8 liter capacity for hot rinse cycle (80-90°C). Boiler with 304 welding for protection against corrosion. Drain pump. Electronic controls with temperature display. External connecting box protected by a waterproof plastic cover. Self-cleaning cycle. Rinse aid dispenser. Pre-arranged for connection on site to an external detergent dispenser.

Hourly capacity: 540 dishes/30 baskets mm500x500.

Supplied with: n. 1 basket for plates and n. 1 cutlery holder.

Main Features

- Built-in pressure boiler sized to raise incoming 50 °C water to guarantee a minimum rinsing temperature of 82 °C for sanitizing rinse. No external booster is required.
- Incorporated Soft Start feature to offer additional protection to more delicate items.
- Washing system endowed with rotating washing arms, high powered wash pump and large capacity boiler for professional washing.
- 4 second (variable) pause after washing and before rinsing ensures that no drops of unclean water will fall on the clean items at the end of the rinsing cycle.
- Fully automatic self-cleaning cycle avoids the risk of bacteria proliferation.
- Equipped with drain pump for easy and quick installation without opening the machine.
- 120/180 seconds cycle.
- Simple control panel with digital display allows on-site personalization of washing and rinsing cycle times and temperatures as well as precise rinse aid and detergent quantities to suit customer's needs.
- Easy to remove wash/rinse arms.
- Simple service from the front.
- IPX 4 water protection.
- Pre-arranged to accept external dispensers.
- Pre-arrangement for HACCP system implementation and Energy Management device.
- Three phase or single phase electrical connection, convertible on-site.

Construction

- Unit to feature smooth surfaces to facilitate cleaning.
- Front and side panels, door and wash tank made in heavy duty anti-corrosive AISI 304 stainless steel.
- 304 stainless steel boiler with higher welding protection to increase resistance to corrosion.
- PVC water supply hose with metal connections resistant to high water pressure.
- Completely closed on the back by a cover plate.

Included Accessories

- 1 of Yellow cutlery container PNC 864242
- 1 of Basket for 18 dinner plates - yellow PNC 867002

Optional Accessories

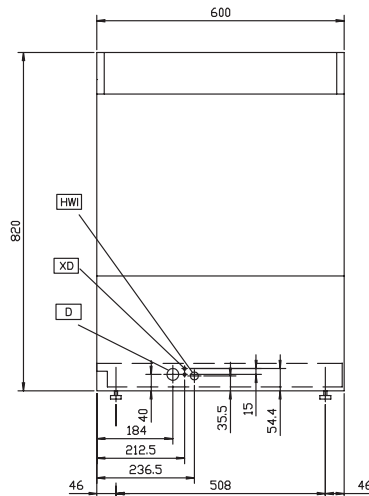
- External manual water softener - 12 lt PNC 860412
- External automatic water softener - 8 lt PNC 860413
- Stand for undercounter dishwasher PNC 860418
- External manual water softener - 20 lt PNC 860430
- Integrated HACCP kit for dishwashers PNC 864001
- Printer for HACCP dishwashers PNC 864002
- External detergent level probe kit PNC 864004
- External rinse aid level probe kit PNC 864005
- Stainless steel inlet hose kit PNC 864016
- Filter for partial demineralization PNC 864017
- Kit to measure total/partial water hardness PNC 864050
- Detergent pump kit PNC 864218

APPROVAL: _____

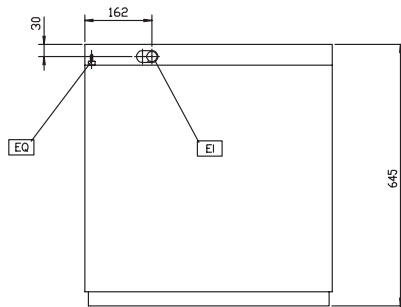
Warewashing
Undercounter Dishwasher with Pressure Boiler & Drain Pump -
3 phase

- Stainless steel tank filter for single skin undercounter PNC 864222
- Yellow cutlery container PNC 864242
- Aisi 304 stainless steel back panel for standard undercounter PNC 864246
- Filter for total demineralization PNC 864367
- Pressure reducer for single tank dishwasher PNC 864461
- Half size basket universal PNC 864527
- Half size basket for plates PNC 864528
- Half size basket for glasses PNC 864529
- Set of 4 yellow cutlery containers PNC 865574
- Basket for 18 dinner plates - yellow PNC 867002
- Basket for cups and coffee cups (24-48 pcs) - blue PNC 867007
- Cover grid for small/light items in rack PNC 867016
- Basket for 16 glasses max. height: 70 mm - blue PNC 867023

Front

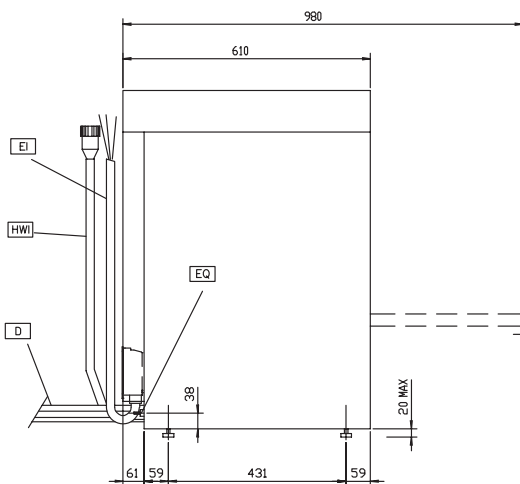


Top



- D** = Drain
- EI** = Electrical connection
- EO** = Electrical Outlet
- HWI** = Hot water inlet
- V** = Air vents
- WI** = Water inlet
- XD** = Detergent connection
- XR** = Rinse aid connection

Side



Electric

| | | |
|---------------------------------|------------------------|-------------------|
| Supply voltage: | 400146 (NUC3DP) | 400 V/3N ph/50 Hz |
| Convertible to: | | 230V 3~; 230V 1N~ |
| Total Watts: | | 5.35 kW |
| Boiler heating elements: | | 4.5 kW |
| Tank heating elements: | | 2 kW |
| Wash pump size: | | 0.736 kW |

Water:

| | |
|--|-------------------------|
| Pressure, bar min/max: | 2-3 bar |
| Water supply temperature: | 50 °C |
| Inlet Water supply pressure: | 29 - 44 psi (2 - 3 bar) |
| Water consumption per cycle (lt): | 3.3 |
| Working cycles time (sec.): | 120/180 |
| Boiler Capacity (lt): | 5.8 |
| Tank Capacity (lt): | 33 |
| Drain line size: | 20.5mm |
| Washing cycle temperature: | 55-65 °C |
| Washing tank capacity (lt): | 33 |
| Hot rinse cycle duration (sec.): | 16 |
| Hot rinse cycle temperature: | 80-90 °C |
| Hot rinse cycle water consumption (lt): | 3.3 |

Key Information:

| | |
|-------------------------------------|----------------|
| Baskets per hour: | 30 |
| Dishes per hour: | 540 |
| Wash temperature (MIN): | 55-65°C |
| Rinse temperature (MIN): | 80-90 °C |
| External dimensions, Height: | 820 mm |
| External dimensions, Width: | 600 mm |
| External dimensions, Depth: | 610 mm |
| Packaging size (WxDxH): | 600x610x820 mm |
| Noise level: | <70 dBA |
| N° of working cycles - sec.: | 2 (120/180) |
| Cell dimensions - width: | 500 mm |
| Cell dimensions - depth: | 500 mm |
| Cell dimensions - height: | 330 mm |

**Warewashing
Undercounter Dishwasher with Pressure Boiler & Drain Pump - 3 phase**

The company reserves the right to make modifications to the products without prior notice. All information correct at time of printing.