



**Warewashing
Hood Type Dishwasher insulated
with atmospheric boiler, filtering
system & detergent dispenser, 72r/h**

ITEM # _____

MODEL # _____

NAME # _____

SIS # _____

AIA # _____



504130 (VHT7IG)

Hood type dishwasher, with double skin insulated manual hood, Atmospheric boiler, filtering system, built-in detergent dispenser, rinse aid dispenser and drain pump, 72 racks/h or 1296 plates/h

Short Form Specification

Item No. _____

Upright hood type hot water rinsing dishmachine. Electrical characteristics to be 400 volts three phase 50Hz operation with three washing cycles of 50/84/150 seconds using 2.3 liters of 84°C final rinse water per cycle. Rinse temperature and pressure guaranteed by built in atmospheric boiler and built in rinse booster pump. Washing performance is ensured by a powerful 0.8W wash pump, upper and lower stainless steel revolving washing spray arms. Filtering system removes majority of soil from the wash water. 304 stainless steel construction to include double skin insulated hood, external, front and side panels, wash tank, tank filter plus wash and rinse arms. The unit should include drain pump, detergent and rinse aid dispenser pumps. Unit shall be field convertible from straight to corner operation. Delivered on height-adjustable feet.

Main Features

- The machine can be connected to cold water*.
- Built-in atmospheric boiler sized to raise incoming water to a minimum of 84 °C for sanitizing rinse. No external booster is required. Constant temperature of 84 °C throughout the rinsing cycle regardless of the network's water pressure.
- Unique temperature interlock guarantees required temperatures in both the wash and final rinse.
- Incorporated Soft Start feature to offer additional protection to more delicate items.
- Slanted wash arms and sloped ceiling to avoid detergent-filled wash water dropping on clean dishes after the rinsing phase, thus guaranteeing ideal washing results.
- Cycle may be interrupted at any time by lifting the hood.
- Automatic self-cleaning cycle and self-draining vertical wash pump and boiler to avoid bacteria proliferation.
- State-of-the-art electronic controls with built-in programming, self-diagnostics for serviceability and automatic interior self-cleaning cycle.
- Built-in rinse aid and detergent dispenser with automatic initial and continuous cycle loading for perfect result while minimizing service and maintenance needs.
- Three phase electrical connection, convertible to single phase on-site.
- IP25 protection against water jets, solid objects and small animals (larger than 6 mm).
- Advanced Filtering System provides cleaner wash water and higher active detergent thus ensuring better washing performances and lower running costs.
- Maximum capacity per hour of 72 racks or 1296 dishes.
- 50/84/150 seconds cycles.
- Requires only 2,3 liters of water per washing cycle thus ensuring low energy, water, detergent and rinse aid consumption.

Construction

- Heavy duty Stainless steel construction. Internal cavity as well as exterior panels are in 304 series Stainless steel.
- Pressed tank in front position to facilitate cleaning.
- Double skin insulated hood.
- Specially designed Stainless steel wash/rinse arms and nozzles provide superior cleaning action.
- Revolving interchangeable Stainless steel wash/rinse arms above and below the rack, screw out for simple clean up.
- Pre-arranged for on-site HACCP implementation and Energy Management device.
- Element protection from dry fire and low water.
- Unit to include drain, detergent and rinse aid dispenser pumps

APPROVAL: _____

**Warewashing
Hood Type Dishwasher insulated with atmospheric boiler,
filtering system & detergent dispenser, 72r/h**

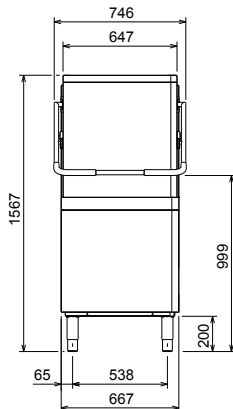
Included Accessories

- 2 of Cutlery container - yellow PNC 864242
- 1 of Basket for 18 dinner plates 240mm - yellow PNC 867002
- 1 of Basket for 48 small cups/24 cups - blue PNC 867007

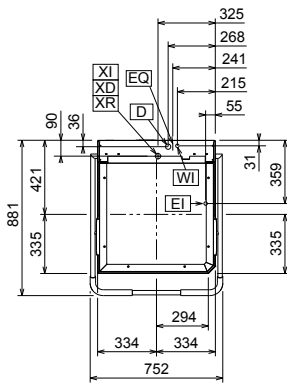
Optional Accessories

- Kit 8 plastic boxes for cutlery - yellow PNC 780068
- 12lt external manual water softener PNC 860412
- 8lt external automatic water softener PNC 860413
- 20lt external manual water softener PNC 860430
- HACCP connection cable for double skin hood type PNC 864007
- Stainless steel inlet hose kit PNC 864016
- Filter for partial demineralization PNC 864017
- Kit to measure total and partial water hardness PNC 864050
- Cutlery container - yellow PNC 864242
- Back panel with double skin manual hood type - AISI 304 PNC 864342
- Filter for total demineralization PNC 864367
- Reverse osmosis filter for single tank dishwasher with atmosphere boiler PNC 864388
- Pressure reducer for single tank dishwasher PNC 864461
- Kit of rack and support to wash fryer basket PNC 864463
- Device kit with pump and air gap for hood type PNC 864526
- Connecting kit for duet manual hood type dishwasher PNC 865264
- Kit 4 plastic boxes for cutlery - yellow PNC 865574
- Basket for 6 trays 530x370 mm - red PNC 866743
- Basket for 12 soup bowls - green PNC 867000
- Basket for 18 dinner plates 240mm - yellow PNC 867002
- Basket for 48 small cups/24 cups - blue PNC 867007
- Basket for bulk cutlery-capacity: 100 pieces - brown PNC 867009
- Cover rack for small and light items (500x500 baskets) PNC 867016
- Baskets for 25 tilted glasses (h 120 mm - diam 80 mm) - blue PNC 867021
- Basket for 16 vertical glasses (h 70 mm - diam 100 mm) - blue PNC 867023
- Basket semi-professional 500x500x190mm PNC 867024
- Baskets for 16 tilted glasses (h 220 mm - diam 100 mm) - blue PNC 867040

Front

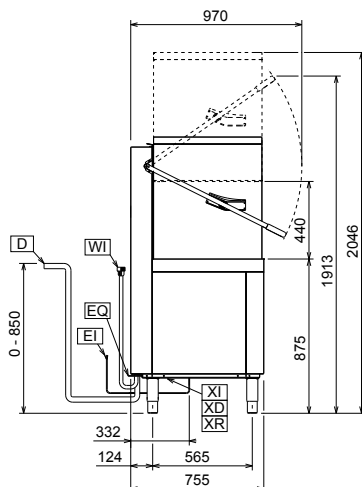


Top



- CW-**
I1 = Cold Water inlet 1 **XD** = Detergent connection
D = Drain **XI** = Chemicals inlet (generic)
EI = Electrical inlet (power) **XP** = Chemical probe/sensor
EO = Electrical Outlet **XR** = Rinse aid connection
HWI
= Hot water inlet
V = Air vents
WI = Water inlet

Side



Electric

Supply voltage:	
504130 (VHT7IG)	400 V/3N ph/50 Hz
Convertible to:	230V 1N~; 230V 3~
Default Installed Power:	9.9 kW
Reducible Installed Power*:	6.9 kW
Boiler Heating Elements Power*:	9 kW
Boiler Reducible To*:	6 kW
Tank heating elements:	3 kW

Water:

Water supply temperature*:	10-65 °C
Drain line size:	20.5 mm
Inlet water supply pressure:	0.5-7 bar
Water consumption per cycle (lt):	2.3
Boiler Capacity (lt):	12
Tank Capacity (lt):	24

Key Information:

N° of cycles:	3
Duration cycle*:	50/84/150 sec.
Racks per hour*:	72
Dishes per hour*:	1296
Wash temperature:	55-65 °C
Rinse temperature:	84 °C
External dimensions, Height:	1567 mm
External dimensions, Width:	752 mm
External dimensions, Depth:	755 mm
Net weight:	117 kg
Shipping weight:	129 kg
Shipping volume:	1.23 m ³
Packaging size (WxDxH):	667x755x1567 mm
Noise level:	<63 dBA

* According to market standard, the productivity is declared at an inlet water supply temperature of 50°C . If the water is supplied at 65°C, the power can be reduced by 3 kW without any loss in productivity.

** When connected to cold water, the cycle time will be prolonged accordingly. The machine will have productivity per hour of 48 racks at 10°C supply temperature or 55 racks at 20°C supply temperature